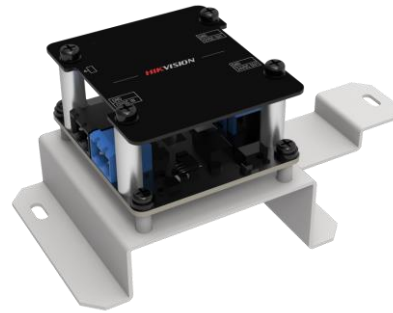


DS-K2M1224X
Power Conversion Module

- By installing the device into the access controller and connecting to it, the 12 VDC output powering the door lock can be converted to a 24 VDC output.

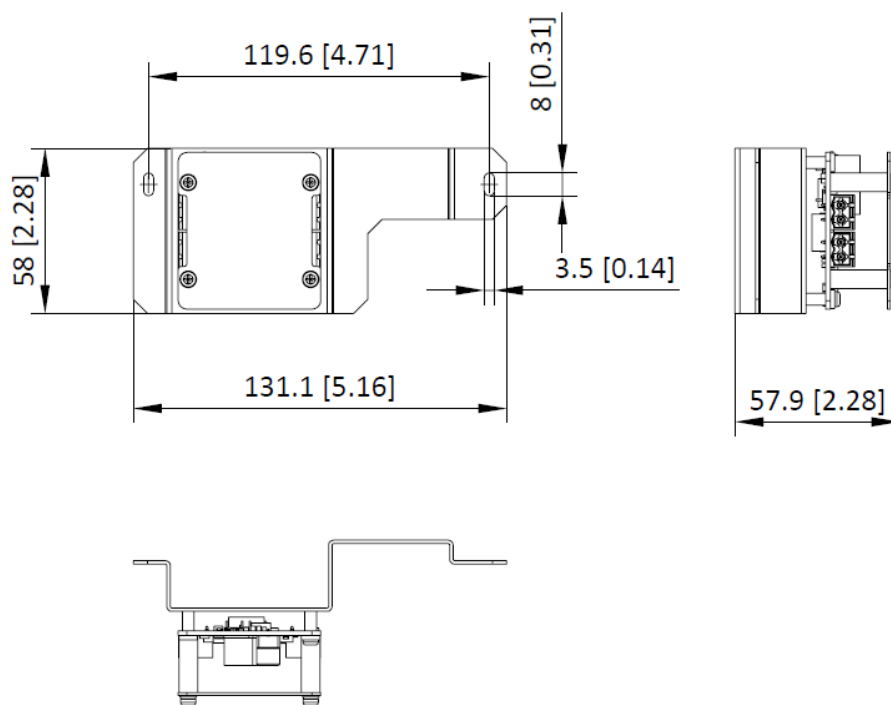
▪ **Specification**

Power Supply	
Power supply	12 V, 2.5 A
Power consumption	24 V, 1 A, or 12 V, 2 A

▪ **Available Model**

DS-K2M1224X

▪ **Dimension**



Unit: mm [inch]

SCALE	1:1
-------	-----

▪ **Accessory**

DS-K2702X



See Far, Go Further



www.hikvision.com
support@hikvision.com

